

TG09-Series



KEY ADVANTAGES

- TG09 can be matched with sensors to reduce energy consumption
- Perfect thermal management for long-term performance
- Wide choice of optics to suit more applications (asymmetrical and symmetrical)
- A cost-effective and very competitive solution offers an industry-leading lux and significant energy savings
- Various mounting options and inclination possibilities on-site for optimal photometry
- Tempered glass cover to effectively reduce UV damage on the lens
- Real beneficial LED alternative to HID floodlights for high-power applications
- Modular combination, multiple power options with complete wattage
- The single module matches the reflector to reduce light pollution

TYPES OF APPLICATION

- INDUSTRIAL HALL&WAREHOUSE
- SPORT FACILITIES
- CAR PARKS
- LARGE AREAS
- BRIDGES
- ROAD&MOTORWAYS
- TUNNEL&UNDERPASSES



5 YEARS WARRANTY

GENERAL INFORMATION

Driver included	Yes
CE mark	Yes
RoHS compliant	Yes
Safety features	Open circuit protection Short circuit protection Overvoltage protection
Testing standard	LM-79 -19 (all measurements in ISO17025 accredited laboratory)

HOUSING AND FINISH

Housing	Aluminium
Optic	Polycarbonate
Protector	Glass
Glass	Tempered glass
Respirator	Yes
Housing finish	Electrostatic polyester powder coating
Standard colour(s)	RAL 9017 black
Tightness level	IP 66
Impact resistance	IK 07

OPERATING CONDITIONS

Operating temperature range (Ta)	-30°C to + 40°C
Operating Humidity	10-90%RH
Mounting Option	Bracket Mounting
Warranty	5 years

PERFORMANCE

Power	50W/100W/150W/ 200W/300W
Efficacy	150lm/W @Bicolor temperature
Power Efficiency	≥90%
Start Time	≤0.5S

ELECTRICAL INFORMATION

Electrical class	Class I EU
Nominal voltage	120-277V 50/60Hz
Power factor (at full load)	0.9
Surge protection options (kV)	6KV-Line-Line 6KV-Line-Earth
Electromagnetic compatibility (EMC)	EN 55015:2019/A11:2020, EN 61000 3-2:2019, EN 61000-3-3:2013, EN 61547:2009, EN 62493:2015
Total Harmonic Distortion(THD)	IEC 61000-3-2 Class C <20%
Driver Type	Constant current(CC)
Flicker	No
For fixed Class 1 luminaires, overvoltage protective devices which comply with IEC 61643-11 shall be disconnected from the circuit.	
withstand voltage	1.5KV 60S 10mA

※Lamp switch must control L line or control L and N lines.

OPTICAL INFORMATION

LED Type	SMD2835
Beam Angle	60° 90° 120°
Recommended installation height	4m to 15m
Color Tolerance	Ra70 ≤7 Ra80 ≤5
LED colour temperature	3000-6500K
Colour rendering index (CRI)	CRI>70 standard CRI>80 optional
Upward Light Output Ratio (ULOR)	0%

※Ra measurement tolerance is ±2.

LIFETIME OF THE LEDS @ TA 25°C

All configurations	
L70B50	>100,000h
L80B20	>50,000h
L90B10	>30,000h
Switching Cycles	>100,000 times

STANDARD VERSION

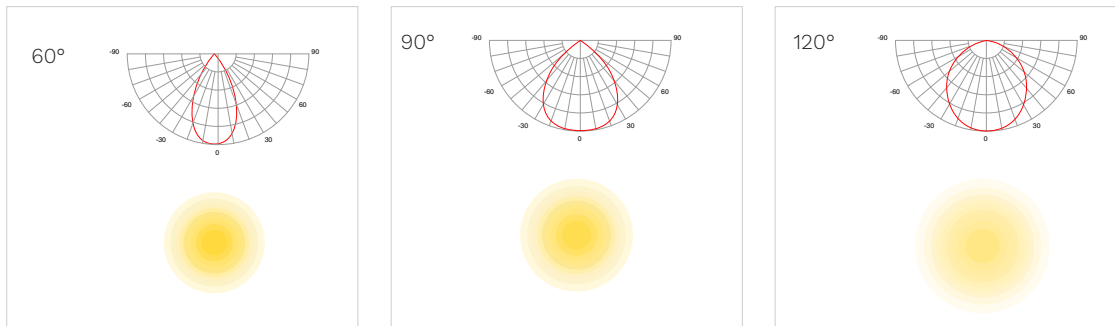
POWER	LUMENS	EFFICACY
50W	7,500LM	150LM/W(Ra70)
	7,000LM	140LM/W(Ra80)
100W	15,000LM	150LM/W(Ra70)
	14,000LM	140LM/W(Ra80)
150W	22,500LM	150LM/W(Ra70)
	21,000LM	140LM/W(Ra80)
200W	30,000LM	150LM/W(Ra70)
	28,000LM	140LM/W(Ra80)
300W	45,000LM	150LM/W(Ra70)
	42,000LM	140LM/W(Ra80)

※The Performance Data is tested base on 230VAC, 90° and 4000K for all versions
 ※Power Consumption Tolerance ±5% (Apply to all versions)
 ※Lumen Efficiency Tolerance ±5% (Apply to all versions)

OUTER BOX PACKAGING

POWER	PACKAGE SIZE	QTY/CTN	SINGLE PIECE VOLUME	NET WEIGHT	GROSS WEIGHT	20GP	40HQ
50W	L440*W230*H330mm	5PCS/CTN	0.0334m ³	/	/	3890pcs	9880pcs
100W	L470*W270*H390mm	5PCS/CTN	0.0495m ³	/	/	2625pcs	6670pcs
150W	L480*W223*H406mm	5PCS/CTN	0.0435m ³	/	/	2990pcs	7595pcs
200W	L495*W325*H465mm	5PCS/CTN	0.0748m ³	/	/	1740pcs	4410pcs
300W	L520*W375*H525mm	5PCS/CTN	0.1024m ³	/	/	1270pcs	3225pcs

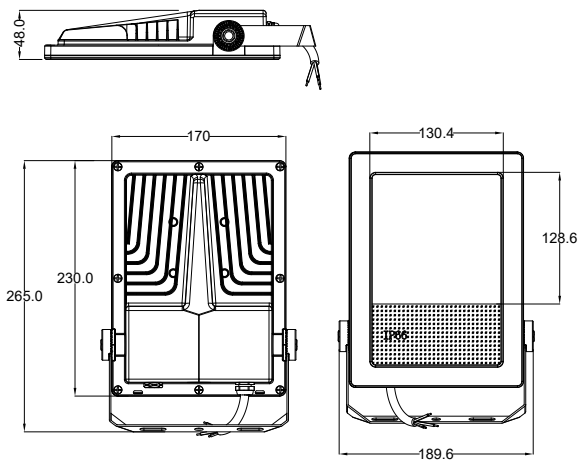
LIGHT DISTRIBUTIONS



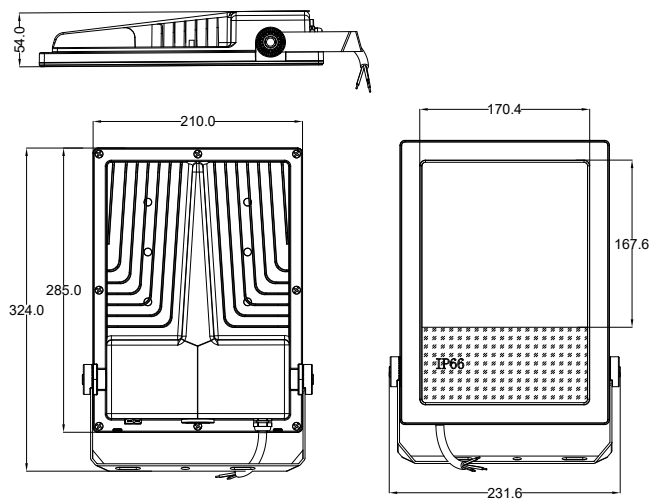
LIGHT DISTRIBUTIONS

Connecting the cable requires an IP65 Tightness level

50W

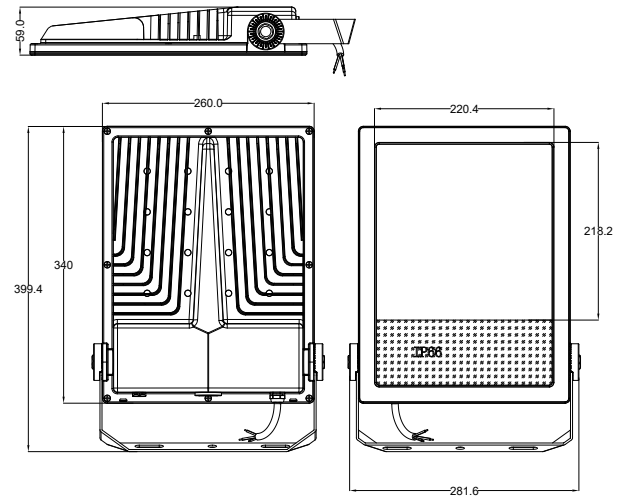
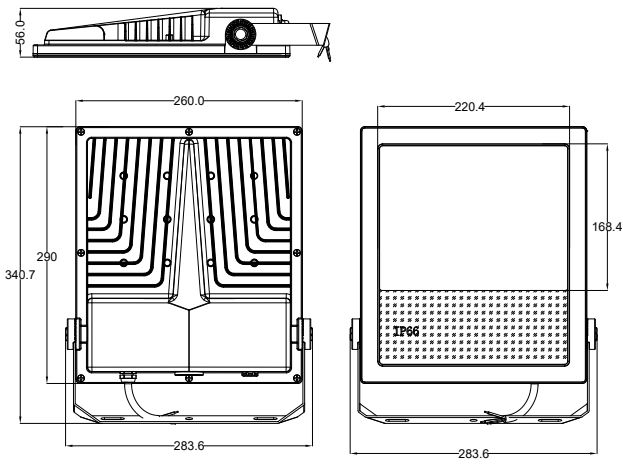


100W



150W

200W



300W

